

TCP465 8 Channel RS232/RS422/RS485 Programmable Serial Interface

Application Information

The TCP465 is a standard 3U 32 bit CompactPCI module and offers 8 channels of high performance RS232/RS422/RS485 programmable serial interface. The module offers front panel I/O with a HD50 SCSI-2 type connector. The TCP465-20 module offers additional J2 rear I/O.

The serial channels can be individually programmed to operate as RS232, RS422 or RS485 full duplex/half duplex interface. In addition programmable termination is provided for the RS422/RS485 interfaces. After power-up all serial I/O lines are in a high impedance state.

Each RS232 channel supports Rx, Tx, RTS, CTS and GND. RS422 and RS485 full duplex support a four wire interface (RX+, RX-, TX+, TX-) plus ground (GND). RS485 half duplex supports a two wire interface (DX+, DX-) plus ground (GND).

Each channel has 64 byte transmit and receive FIFOs to significantly reduce the overhead required to provide data to and get data from the transmitters and receivers. The FIFO trigger levels are programmable and the baud rate is individually programmable up to 921.6 kbps for RS232 channels and 5.5296 Mbps for RS422/RS485 channels. The UART offers readable FIFO levels.

All channels generate interrupts on CompactPCI interrupt INTA. For fast interrupt source detection the UART provides a special Global Interrupt Source Register.

All serial channels use ESD protected transceivers up to $\pm 15\text{KV}$.

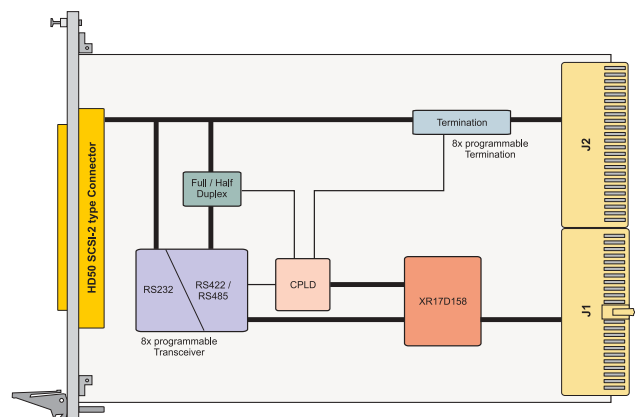
The TCP465 can operate with 3.3V and 5.0V PCI I/O signaling voltage.

For First-Time-Buyers the Engineering Documentation TCP465-ED is recommended. The Engineering Documentation includes TCP465-DOC, schematics and data sheets of TCP465.

Driver support (TDRV002-SW-xx) for different operating systems is available.

Technical Information

- Standard 3U 32 bit CompactPCI module conforming to PICMG 2.0 R3.0
 - Target Chip: XR17D158 (Exar)
 - PCI 2.3 compliant interface
 - PCI I/O signaling voltage 5V and 3.3V
- Board size: 160 mm x 100 mm
- Octal UART: Exar XR17D158
- Programmable Interfaces:
 - RS232
 - RS422
 - RS485 Full Duplex
 - RS485 Half Duplex
 - Programmable Termination for RS422/RS485
- Support of Rx, Tx, RTS, CTS and GND for each RS232 channel; Rx, Tx and GND for each RS422/RS485 FD channel; D+/- and GND for each RS485 HD channel.
- Programmable baud rates:
 - RS232: up to 921.6 kbps
 - RS422/RS485: up to 5.5296 Mbps
- 64 byte transmit FIFO per channel
- 64 byte receive FIFO per channel
- Readable FIFO levels
- Global Interrupt Source Register
- General Purpose 16 bit Timer/Counter
- ESD protected transceiver (up to $\pm 15\text{KV}$)
- Operating temperature -40°C to $+85^{\circ}\text{C}$



Order Information

TCP465-10	8 Channel Serial Programmable Interface, front panel I/O	TA301-10	Cable Kit for modules with HD50 connector
TCP465-10R	RoHS compliant version of TCP465-10	TA301-10R	RoHS compliant version of TA301-10
TCP465-20	8 Channel Serial Programmable Interface, front panel and J2 I/O	TCP001-FP-10	6U front panel extension for 3U cPCI boards
TCP465-20R	RoHS compliant version of TCP465-20	TDRV002-SW-42	VxWorks Software Support
TCP465-DOC	User Manual	TDRV002-SW-65	Windows XP/XPE/2000 Software Support
TCP465-ED	Engineering Documentation (TCP465-DOC, Schematics, Assembly Drawing, Data Sheets)	TDRV002-SW-72	LynxOS Software Support
		TDRV002-SW-82	LiNIX Software Support
		TDRV002-SW-95	QNX 6 Software Support

For other operating systems please contact TEWS.

TEWS TECHNOLOGIES GmbH

Am Bahnhof 7
25469 Halstenbek, Germany
www.tews.com

Phone: +49 (0) 4101 4058 0
Fax: +49 (0) 4101 4058 19
e-mail: info@tews.com

TEWS TECHNOLOGIES LLC

9190 Double Diamond Parkway,
Suite 127, Reno, NV 89521, USA
www.tews.com

Phone: +1 (775) 850 5830
Fax: +1 (775) 201 0347
e-mail: usasales@tews.com