

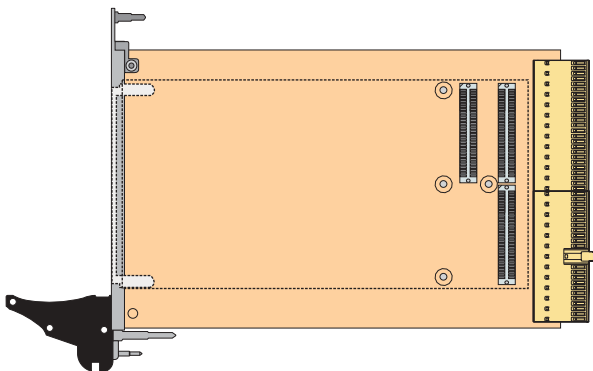
TCP270 PMC Carrier for 3U CompactPCI

Application Information

The TCP270 is a standard 3U CompactPCI carrier that provides front I/O and rear I/O for a single width PMC module. This PMC to 3U CompactPCI adapter is used to build modular, flexible and cost effective I/O solutions with PMC devices in CompactPCI systems.

32bit/33MHz accesses are supported on the PCI bus. The TCP270 is used as a mechanical adaptor to connect a standard PMC module in 3U CompactPCI systems.

The TCP270 supports PMC front I/O and optional CompactPCI rear I/O at CompactPCI connector J2/P2. The pin assignment corresponds to the PICMG 2.3 R1.0 PMC on CompactPCI signal mapping.



The use of PMC I/O on the J2/P2 connector (TCP270-11) precludes the use of 64bit CompactPCI backplanes.

The TCP270 carrier complies with the PICMG 2.0 Revision 3.0 CompactPCI specification.

Operating temperature range is -40°C to +85°C.

For First-Time-Buyers the engineering documentation TCP270-ED is recommended. The engineering documentation includes TCP270-DOC, schematics and data sheets of the TCP270.

Technical Information

- 3U 32bit /33MHz CompactPCI module conforming to PICMG 2.0 Rev 3.0
 - PCI 2.2 compliant interface
 - Board size: 160mm x 100mm
 - PCI Interface: 33MHz; 32bit
 - 5V and 3.3V PCI I/O signaling voltage possible
- One PMC site conforming to PMC standard
- Front panel I/O
- CompactPCI rear I/O: Connector J2 optional
- Operating temperature -40°C to +85°C

Order Information

- | | |
|-------------------|---|
| TCP270-10 | Single PMC Carrier for 3U CompactPCI, Front I/O |
| TCP270-11 | Single PMC Carrier for 3U CompactPCI, Front I/O and J2 Rear I/O |
| TCP270-DOC | User Manual |
| TCP270-ED | Engineering Documentation, includes TCP270-DOC |