

ACC-GT3X-BORT

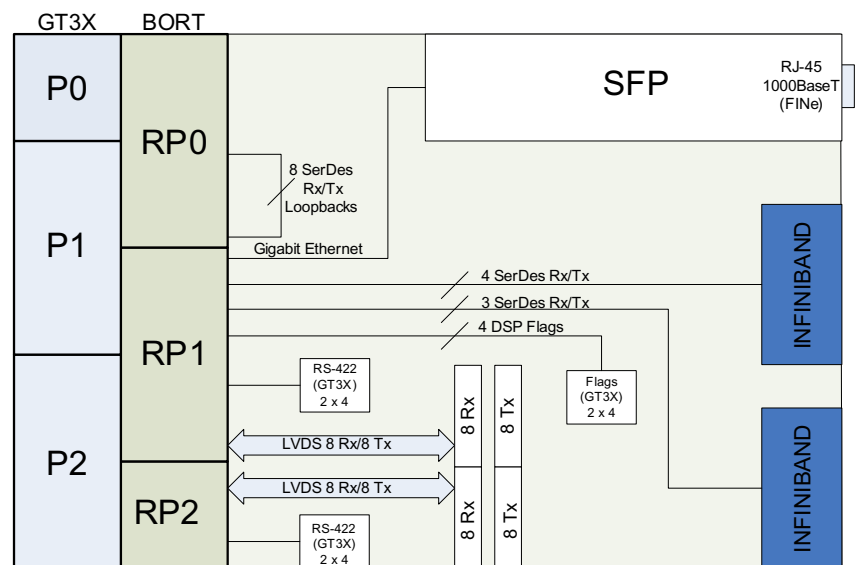
Rear Transition Breakout Board for GT-3U-VPX

- 32 LVDS I/O pairs
- RJ45 1000BaseT (to FINE)
- 7x SerDes interface
- RS-422 serial interface
- ADSP-TS201 DSP flag access

BittWare's ACC-GT3X-BORT is a rear-transition breakout module for the GT-3U-VPX (GT3X) board. It provides a convenient way to access the rear panel I/O signals on the GT3X and provides support for using additional peripherals with the board.

A variety of I/O connections are available to support the GT3X board, including Ethernet, LVDS I/O, SerDes, RS-422, and TigerSHARC flags. Thirty-two LVDS I/O pairs (16 Rx, 16 Tx) are brought out to four 2x16 2mm headers. Seven Stratix II GX SerDes lanes (9-15) are brought out to two Infiniband-type connectors, with power for an optical cable. An additional 8 SerDes lanes (1-8) are available for optional loopback. A small form-factor pluggable (SFP) transceiver converts the FINE Host/Control Bridge SerDes-based Ethernet into 1000Base-T on an RJ45.

Four TigerSHARC flag signals are brought out to an 8-pin header. Two additional 8-pin headers provide a dual RS-422 interface with access to the FINE Host/Control Bridge's dual UART on the GT3X.



Ordering Options

ACC-GT3X-BORT-ABCDE					
A	Ethernet Configuration 0 = GigE < - > SFP	B	SerDes Loopback 0 = None* 1 = Fat Pipe 1 2 = Fat Pipe 2 3 = Fat Pipe 1 + 2	C	VPX P1 (N1) 0 = GT3X (Tiger Flags)
D	VPX P2 (N0) 0 = GT3X (RS-232)	E	VPX P2 (N1) 0 = GT2X (RS-422)		

* Default

DS-ACC-GT3X-BORT | Rev 0.2 | July 2010

© BittWare, Inc. 2010

Stratix II GX is a registered trademark of Altera Corp. All other products are the trademarks or registered trademarks of their respective holders.

BittWare, Inc.
9 Hills Avenue | Concord, NH 03301 USA
Phone: 603.226.0404
E-mail: info@bittware.com
www.bittware.com

