

## Mobile-ITX Series

NEW

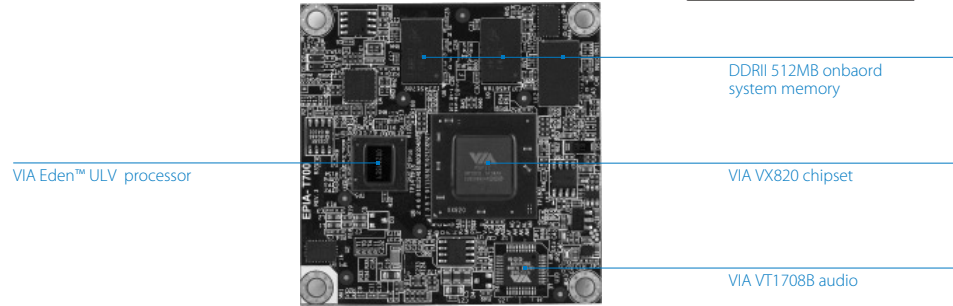
# VIA EPIA-T700

Mobile-ITX Eden™ ULV  
Module with MPEG-2/4,  
WMV9, PCI Express, IDE,  
VGA, TTL/DVP, LPC, USB

## Features

- Mobile-ITX form factor, the smallest existing COM, sized in 6 cm x 6 cm
- Integrated VIA UniChrome™ Pro II 3D/2D AGP graphics with MPEG-2/4 & WMV9 video decoding acceleration
- Onboard DDR2 512MB soldered memory chip
- Supports one VGA and one TTL/DVP
- Supports one 1-lane PCI Express
- Supports one single-channel IDE hard drive
- Supports five USB 2.0 ports
- Supports HD audio

## Board Placement



**RedLinX™**  
Embedded Solutions  
[www.redlinx.co.za](http://www.redlinx.co.za)

## Specifications

<b>Model Name</b>	<b>EPIA-T700</b>
<b>Processor</b>	1.0 GHz VIA Eden™ ULV MobileBGA
<b>Chipset</b>	VIA VX820 Unified Digital Media IGP chipset
<b>System Memory</b>	Onboard DDR2 512MB soldered memory chip
<b>VGA</b>	Integrated VIA UniChrome™ Pro II 3D/2D AGP graphics with MPEG-2/4 & WMV9 video decoding acceleration
<b>Onboard Audio</b>	VIA VT1708B High Definition Audio Codec
<b>Onboard I/O Connectors</b>	Mobile-ITX board-to-board connector with following interface signals included: 1 x PCIe x1 1 x Single-channel IDE 1 x VGA 1 x TTL/DVP 1 x SMBus 1 x LPC 5 x USB2.0 1 x VCP 1 x Audio 2 x SDIO 4 x GPIO 1 x Power & Power Management Interface 1 x PCI clock
<b>Operating System</b>	Windows XP, Linux, Win CE, XPe
<b>Operating Temperature</b>	0°C ~ 60°C
<b>Operating Humidity</b>	0% ~ 95% (relative humidity; non-condensing)
<b>Form Factor</b>	Mobile-ITX 6 cm x 6 cm
<b>Weight</b>	18.6 g

## Ordering Information

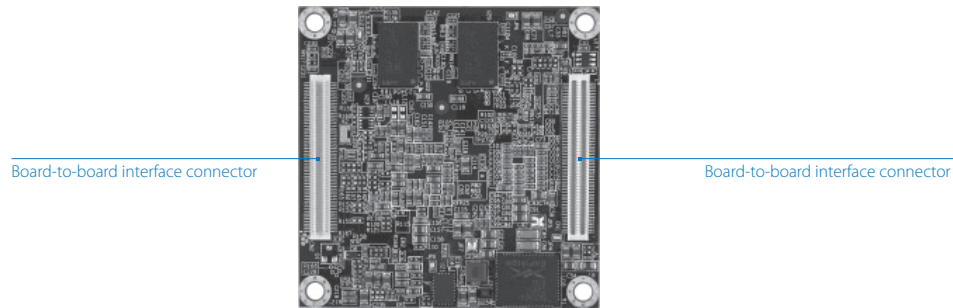
Model Name	CPU Frequency	Description
T700	1.0 GHz Eden™ ULV	Mobile-ITX Board with 1.0 GHz Eden™ ULV CPU, PCI Express, PCI Clock, IDE, VGA, LPC, SMBus, USB, SDIO, GPIO

CE FC

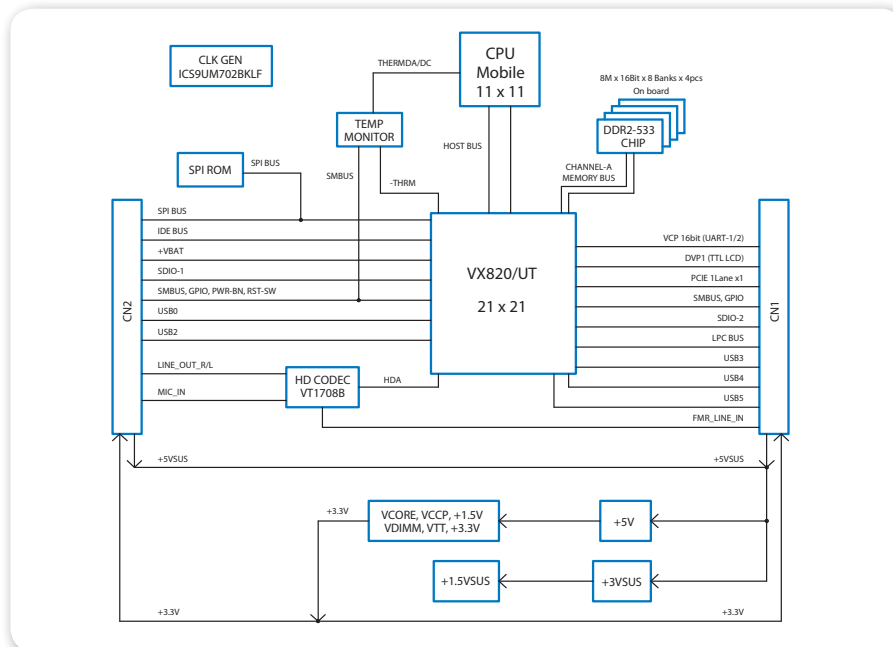
ROHS  
COMPLIANT

 VIA Embedded

## Board Placement



## Block Diagram



## Packing List

Items
1 x EPIA-T700-IO I/O card (Pre-assembled)
1 x VGA cable
1 x USB cable
1 x PS2 cable
1 x Audio cable
1 x 5V AC adapter
1 x Power cord
1 x Driver Utility CD

\* All product specifications are subject to change without notice. Update: March 1, 2010.