

TVME201 VMEbus Carrier for 4 IndustryPacks®

Application Information

The TVME201 is 6U VMEbus Carrier for up to four single-size or two double-size IndustryPack (IP) modules allowing to build up modular, flexible and cost effective I/O solutions for all kinds of applications like process control, medical systems, telecommunication and traffic control.

For improved EMI protection, four HD50 SCSI-2 type connectors are mounted in the EMI front panel of the TVME201 and provide access to all IP I/O lines. Status indicators for IP access, +5V and +/-12V are provided in the front panel.



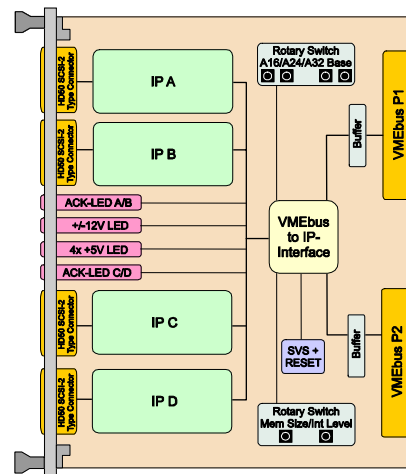
A set of 16-position rotary switches allows easy configuration of VME Short I/O and Memory addresses. Interrupt routing from the IP slots to the VME IRQ's can be done in two ways: programmable by software or selection of predefined sets by a rotary switch.

The IP power lines are fuse protected by self healing fuses and RF filtered. The operating temperature ranges between -40°C and +85°C.

For First-Time-Buyers the Engineering Documentation TVME201-ED is recommended. The Engineering Documentation includes TVME201-DOC, schematics and data sheets of TVME201.

Technical Information

- Form Factor: VMEbus board, 6U
- VMEbus slave interface:
- Short I/O: A16, D08/16, size: 1 Kbytes
- Standard Memory: A24, D08/16
- Size: programmable, 32 Kbytes to 2 Mbytes per IP
- Extended Memory: A32, D08/16
- Size: fixed, 8 Mbytes per IP
- Interrupts: IRQ1-7
- ANSI/VITA 4-1995 compliant interface to IndustryPack modules
- IndustryPack slots: Four single-size or two double-size with front panel I/O
- 8 MHz interface, no DMA
- Routing of IP Interrupt Levels to VME IRQ1-7: programmable by software or selection of predefined sets by a rotary switch
- I/O access by HD50 SCSI-2 type connector per IP mounted in EMI front panel
- EMI front panel
- Status LED's
- ACK LED for each IP module
- +5V Power LED for each IP slot
- +12V and -12V Power LED
- Self Healing fuses and RF-filtering on all IP power lines
- Operating Temperature -40°C to +85°C



Order Information

TVME201-10	VMEbus Carrier for 4 IP modules (6U); Front panel I/O, Standard Handles	CARRIER-SW-42	VxWorks IP Carrier Software Support
TVME201-10R	RoHS compliant version of TVME201-10	CARRIER-SW-65	Windows XP/XPE/2000 IP Carrier Software Support
TVME201-DOC	User Manual	CARRIER-SW-72	LynxOS IP Carrier Software Support
TVME201-ED	Engineering Documentation (TVME201-DOC, Schematics, Assembly Drawing, Data Sheets)	CARRIER-SW-82	Linux IP Carrier Software Support
TA301-10	Cable Kit for modules with HD50 connector	CARRIER-SW-95	QNX 6 IP Carrier Software Support
TA301-10R	RoHS compliant version of TA301-10		

For other operating systems please contact TEWS.

TEWS TECHNOLOGIES GmbH

Am Bahnhof 7
25469 Halstenbek, Germany
www.tews.com

Phone: +49 (0) 4101 4058 0
Fax: +49 (0) 4101 4058 19
e-mail: info@tews.com

TEWS TECHNOLOGIES LLC

9190 Double Diamond Parkway,
Suite 127, Reno, NV 89521, USA
www.tews.com

Phone: +1 (775) 850 5830
Fax: +1 (775) 201 0347
e-mail: usasales@tews.com